



شرکت کمپرسور بهسان

THP SERIES

PART LIST

TWO-STAGE
HIGH PRESSURE
INDUSTRIAL

BEHSAN AIR COMPRESSORS

MODEL: THP-1.5/30

در صورتی که به قطعات یدکی احتیاج دارید ، خواهشمندیم به موارد زیر توجه فرمایید .

۱- نام شرکت و تاریخ خرید دستگاه را مشخص نمایید .

۲- تیپ و شماره سری را مشخص نمایید .

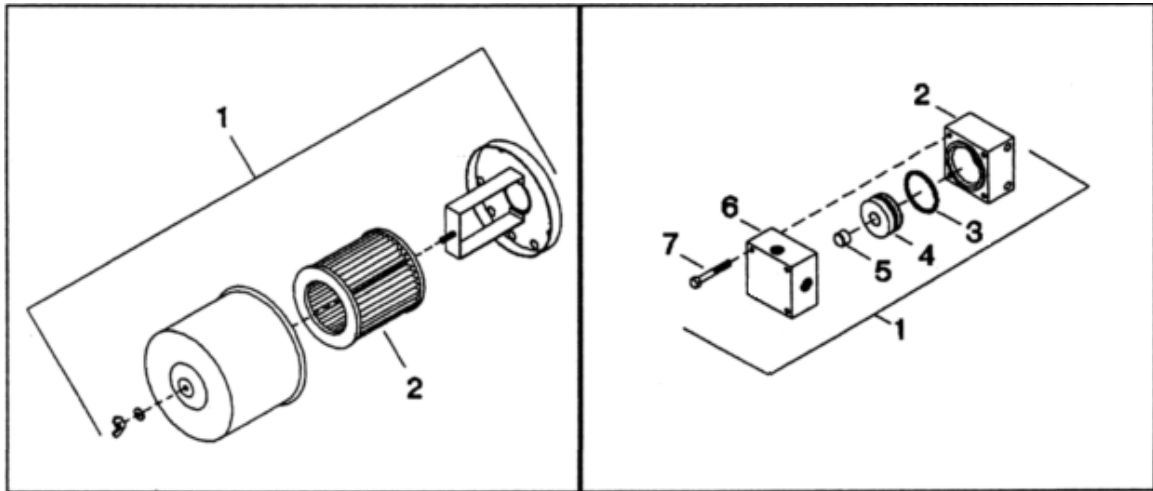
۳- شماره قطعه و اسم آنرا توضیح دهید .

۴- نحوه تحویل آنرا اعلام نمایید .

تهیه و تنظیم : م. ابراهیمی

نگارش: ۳/۳

تاریخ بازبینی : ۸۹/۰۳/۰۱



**FIGURE1 INLET FILTER
ASSEMBLY**

**FIGURE2 AUTOMATIC
CONDENSATE DRAIN VALVE**

FIGURE1

REF. NBR.	PART NUMBER	DESCRIPTION	UNITS PER ASSY.	REMARK
1-1	H30804000	FILTER COMPLETE-INLET	1	
1-2	H30804001	ELEMENT, FILTER	1	

FIGURE2

REF. NBR.	PART NUMBER	DESCRIPTION	UNITS PER ASSY.	REMARK
2-1	H33401216	AUTOMATIC CONDENSATE DRAIN VALVE	1	
2-2	H33401218	CYLINDER STAGE	1	
2-3	35503450	O-RING 34.5x3.55	1	
2-4	H33401219	PISTON	1	
2-5	H33401220	VALVE SEAT	1	
2-6	H33401217	BODY-UNLOAD	1	
2-7	GB5783-86	CAPSCREW HEX-M6X45	4	

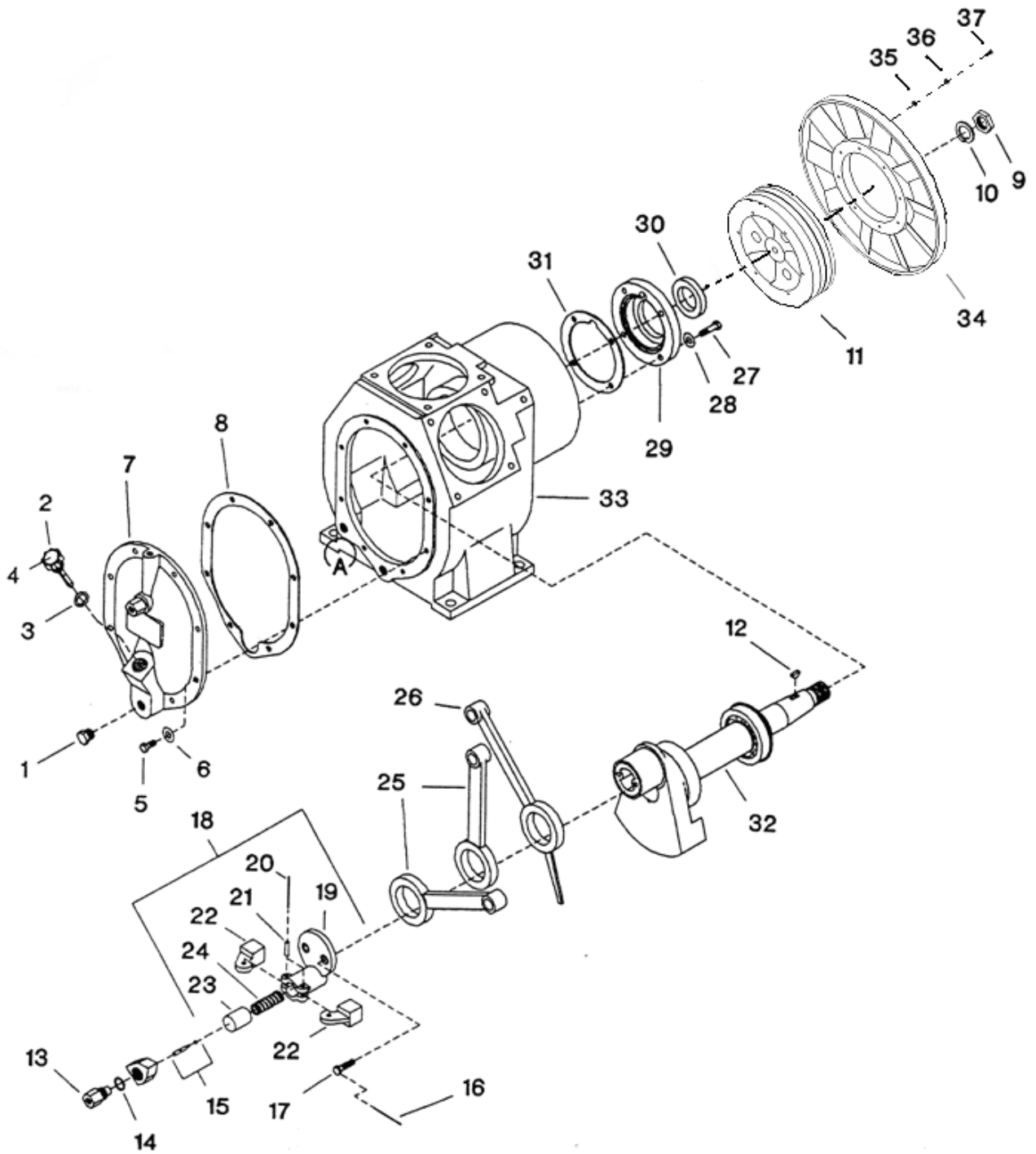


FIGURE 3 COMPRESSOR FRAME ASSEMBLY

FIGURE3

REF. NBR.	PART NUMBER	DESCRIPTION	UNITS PER ASSY.	REMARK
3-1	H30801175	PLUG,PIPE-HEX HEAD	1	
3-2	H30801169	PLUG ,OIL GAUGE	1	
3-3	35502360	O-RING 23.6x3.55	1	
3-4	BT002	PLUG OIL FILL LABEL	1	
3-5	GB5783-86	CAPSCREW-HEX M10x25	10	
3-6	H30801001	WASHER-STELL	10	
3-7	H33001051	COVER,FRAME EDN	1	
3-8	H33001052	GASKET,FRAME EDN COVER	1	
3-9	H33001056	NUT, V-BELT WHEEL	1	
3-10	GB93-87	LOCKWASHER, SPRING-36	1	
3-11	H33303010A	WHEEL, V-BELT	1	
3-12	H30870052	KEY, WOODRUFF 8X28	1	
3-13	H30801309	VALVE PILOT	1	
3-14	H30801308	WASHER, COPPER	5	
3-15	H30801319	THRUST PIN	1	
3-16	H30801011	LOCKWIRE	1	
3-17	GB32.1-88	CAPSCREW-HEX M10x25	2	
3-18	H33001200	ASSEMBLY, CRANKPIN CAP CENTRIFUGAL UNLOADER	1	
3-19	H33001201	BODY, CRANKPIN CAP	1	
3-20	H30801318	LOCKWIRE	1	
3-21	H30801317	PIN	1	
3-22	H30801316	WEIGHT, CENTRIFUGAL UNLOADER	2	
3-23	H30801315	PLUNGER, CENTRIFUGAL UNLOADER	1	
3-24	H30801314	SPRING, CENTRIFUGAL UNLOADER	1	
3-25	H33001014	ROD,CONNECTING-LOW PRESSURE	2	
3-26	H33301001	ROD,CONNECTING-HIGH PRESSURE	1	
3-27	GB5783-86	CAPSCREW-HEX M10x25	2	
3-28	H30801001	WASHER-STELL	2	
3-29	H33001054	COVER, SHAFT END	1	
3-30	H33001066	SEAL, OIL-VITON	1	
3-31	H33001055	GASKET-SHAFT END COVER	1	
3-32	H33301019	ASSEMBLY, CRANKSHAFT-COMPLETE	1	
3-33	H33001001	FRAME, COMPRESSOR	1	
3-34	H30870581	WHEEL, V-BELT	1	
3-35	GB95-85	LOCKWASHER, SPRING-8	6	
3-36	GB93-87	WASHER, FLAT-8	6	
3-37	GB5783-86	CAPSCREW-HEX M8*40	6	

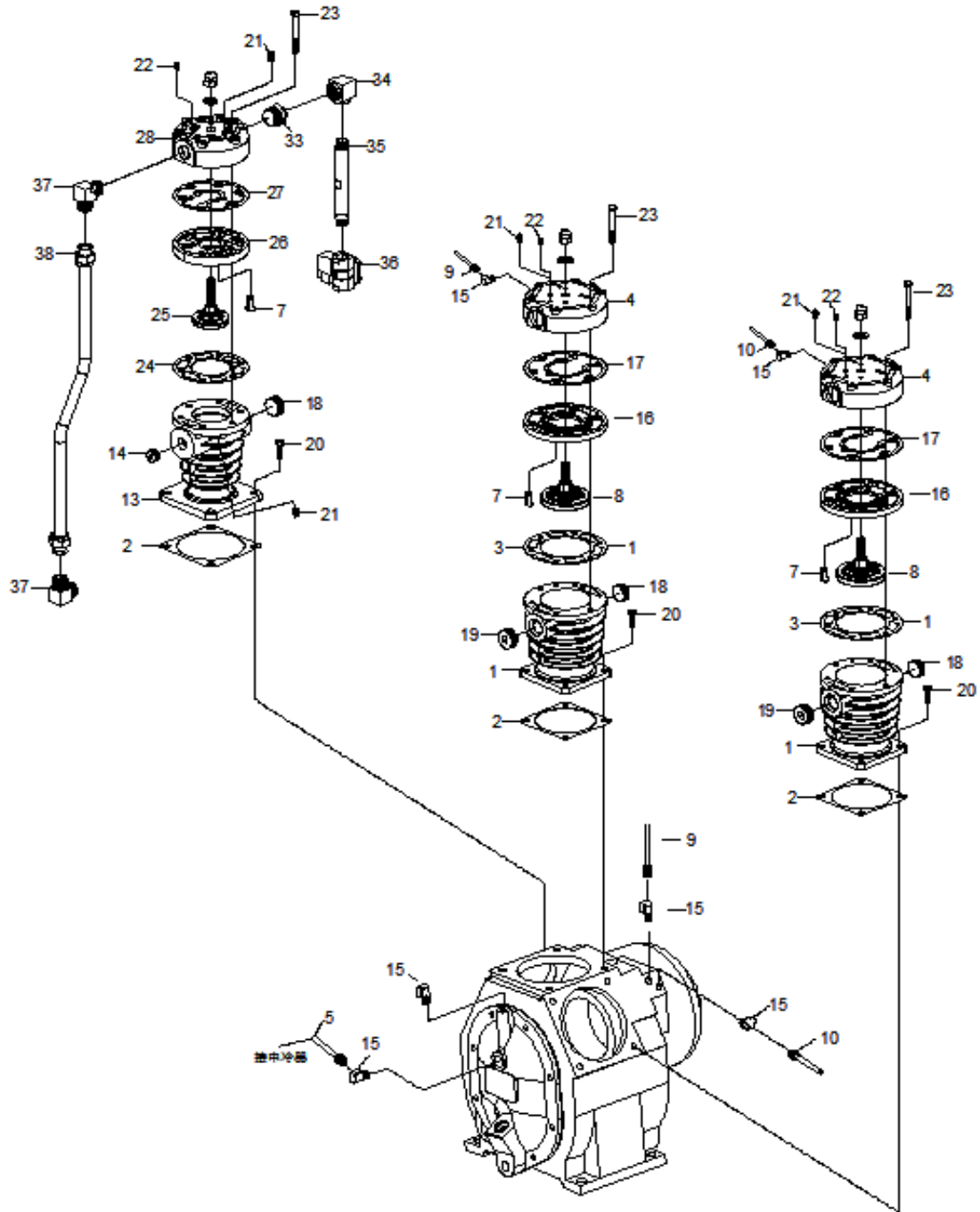


FIGURE4 MODEL THP-1.5/30 COMPRESSOR

FIGURE4

REF. NBR.	PART NUMBER	DESCRIPTION	UNITS PER ASSY.	REMARK
4-1	H33501101	CYLINDER , AIR-FIRST STAGE	2	
4-2	H33001009	GASKET, FLANGE	3	
4-3	H30801144	GASKET-AIR HEAD TO CYLINDER	2	
4-4	H30701201	HEAD-AIR-TOP HALF I	2	
4-5	H33301100	ASSEMBLY, TUBE-WITH NUTS	1	
4-7	H30801114	DOWEL	3	
4-8	H33301014	VALVE-CONCENTRIC RING COMPLETE	2	
4-9	H33301300	ASSEMBLY, TUBE-WITH NUTS	1	
4-10	H33301400	ASSEMBLY, TUBE-WITH NUTS	1	
4-13	H33401112	CYLINDER , AIR-SECOND STAGE	1	
4-14	H30601202	PLUG, SECOND STAGE CYLINDER	1	
4-15	H30801323	ELBOW, TUBE	6	
4-16	H30801141	FIRST STAGE HEAD-BOTTOM HALF	2	
4-17	H30801142	GASKET-BETWEEN HALVES	2	
4-18	H30801202	PLUG, FIRST STAGE CYLINDER	3	
4-19	H30870344	PLUG, FIRST STAGE CYLINDER	2	
4-20	GB5783-86	CAPSCREW-HEX M12x35	12	
4-21	H33001059	PLUG, SECOND STAGE CYLINDER	9	
4-22	GB/T77-85	CAPSCREW-HEX M10x12	12	
4-23	GB5782-86	CAPSCREW-HEX M12x105	18	
4-24	H30601116	GASKET-AIR HEAD TO CYLINDER	1	
4-25	H33301009	VALVE-CONCENTRIC RING COMPLETE	1	
4-26	H30601113	SECOND STAGE HEAD-BOTTOM HALF	1	
4-27	H30601114	GASKET-BETWEEN HALVES	1	
4-28	H30301006	HEAD-AIR-TOP HALF II	1	
4-33	H33300006	CONNECTOR, TUBE NPT1/4"-G3/4"	1	
4-34	H40106001	ELBOW, TUBE G3/4"	1	
4-35	H40106003	ASSEMBLY, TUBE-WITH NUTS	1	
4-36	H30870199	SOLENOID VALVE 2WAY	1	
4-37	H33300018	ELBOW, TUBE	2	
4-38		ASSEMBLY, TUBE-WITH NUTS	1	

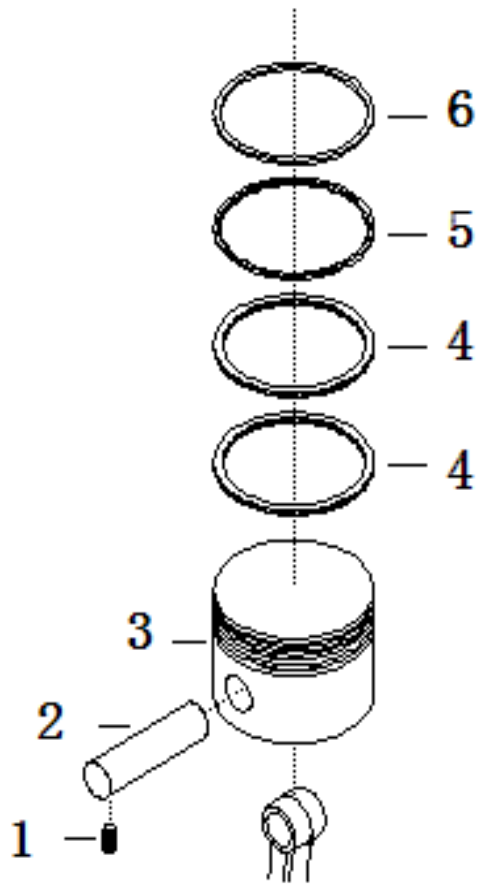


FIGURE 5 3 INCH CYLINDER & PISTON

FIGURE5

REF. NBR.	PART NUMBER	DESCRIPTION	UNITS PER ASSY.	REMARK
5-1	GB77-85	CAPSCREW-HOLLOW HEX HEAD	2	
5-2	H30501020	PIN, PISTON	1	
5-3	H30501021	PISTON	1	
5-4	H30599003	PISTON RING	2	
5-5	H30501023	PISTON RING	1	
5-6	H30501022	PISTON RING	1	

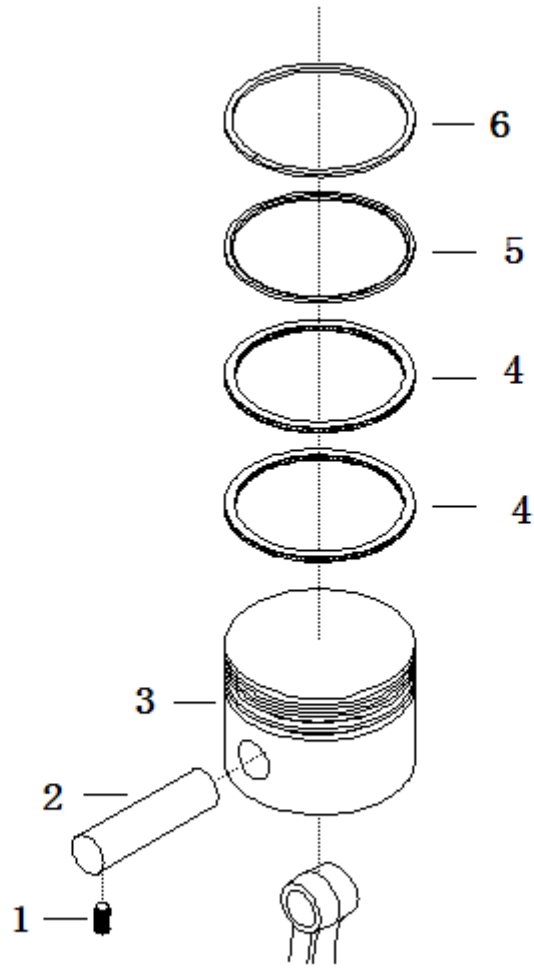


FIGURE 6 5 INCH CYLINDER & PISTON

FIGURE6

REF. NBR.	PART NUMBER	DESCRIPTION	UNITS PER ASSY.	REMARK
6-1	GB77-85	CAPSCREW-HOLLOW HEX HEAD	2	
6-2	H33001018	PIN, PISTON	1	
6-3	H33501102	PISTON	1	
6-4	H30701006	PISTON RING	2	
6-5	H30701005	PISTON RING	1	
6-6	H30701004	PISTON RING	1	

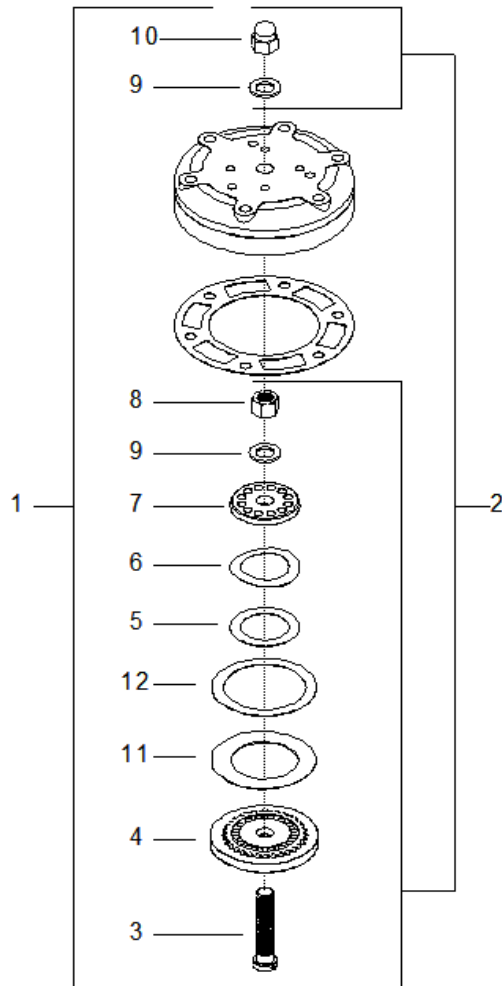


FIGURE 7 3 INCH CONCENTRIC RING VALVE ASSEMBLY

FIGURE7

REF. NBR.	PART NUMBER	DESCRIPTION	UNITS PER ASSY.	REMARK
7-1	H30301004	ASSEMBLY, AIR HEAD TO CYLINDER	1	
7-2	H33301009	3 INCH VALVE-CONCENTRIC RING COMPLETE	1	
7-3	H33301013	VALVE BOLT	1	
7-4	H33301010	DISCHARGE VALVE SEAT	1	
7-5	H30601110	DISCHARGE VALVE PLATE	1	
7-6	H30601111	DISCHARGE VALVE SPRING	1	
7-7	H33301022	STOP PLATE	1	
7-8	GB6171-86	NUT M16	1	
7-9	GB955-87	BELLEVILLE WASHER 16	2	
7-10	H30801110	ACORN NUT M16x1.5	1	
7-11	H33301011	INLET VALVE SPRING	1	
7-12	H33301012	INLET VALVE BOLT	1	

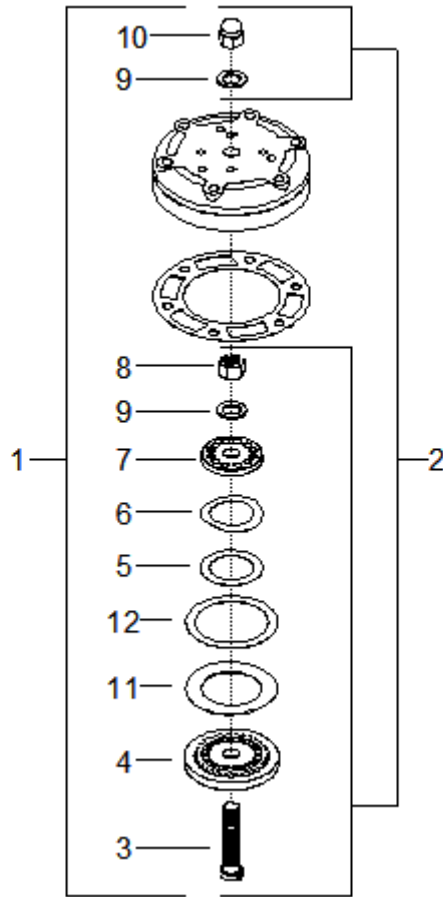


FIGURE 8 5 INCH CONCENTRIC RING VALVE ASSEMBLY

FIGURE8

REF. NBR.	PART NUMBER	DESCRIPTION	UNITS PER ASSY.	REMARK
8-1	H30701200	ASSEMBLY, AIR HEAD TO CYLINDER	1	
8-2	H33301014	5 INCH VALVE-CONCENTRIC RING COMPLETE	1	
8-3	H33301016	VALVE BOLT	1	
8-4	H33301015	DISCHARGE VALVE SEAT	1	
8-5	H30801136	DISCHARGE VALVE PLATE	1	
8-6	H30801137	DISCHARGE VALVE SPRING	1	
8-7	H30801138	STOP PLATE	1	
8-8	GB6171-86	NUT M20	1	
8-9	GB955-87	BELLEVILLE WASHER 120	2	
8-10	H30801140	ACORN NUT M20x1.5	1	
8-11	H30801134	INLET VALVE SPRING	1	
8-12	H30801135	INLET VALVE BOLT	1	

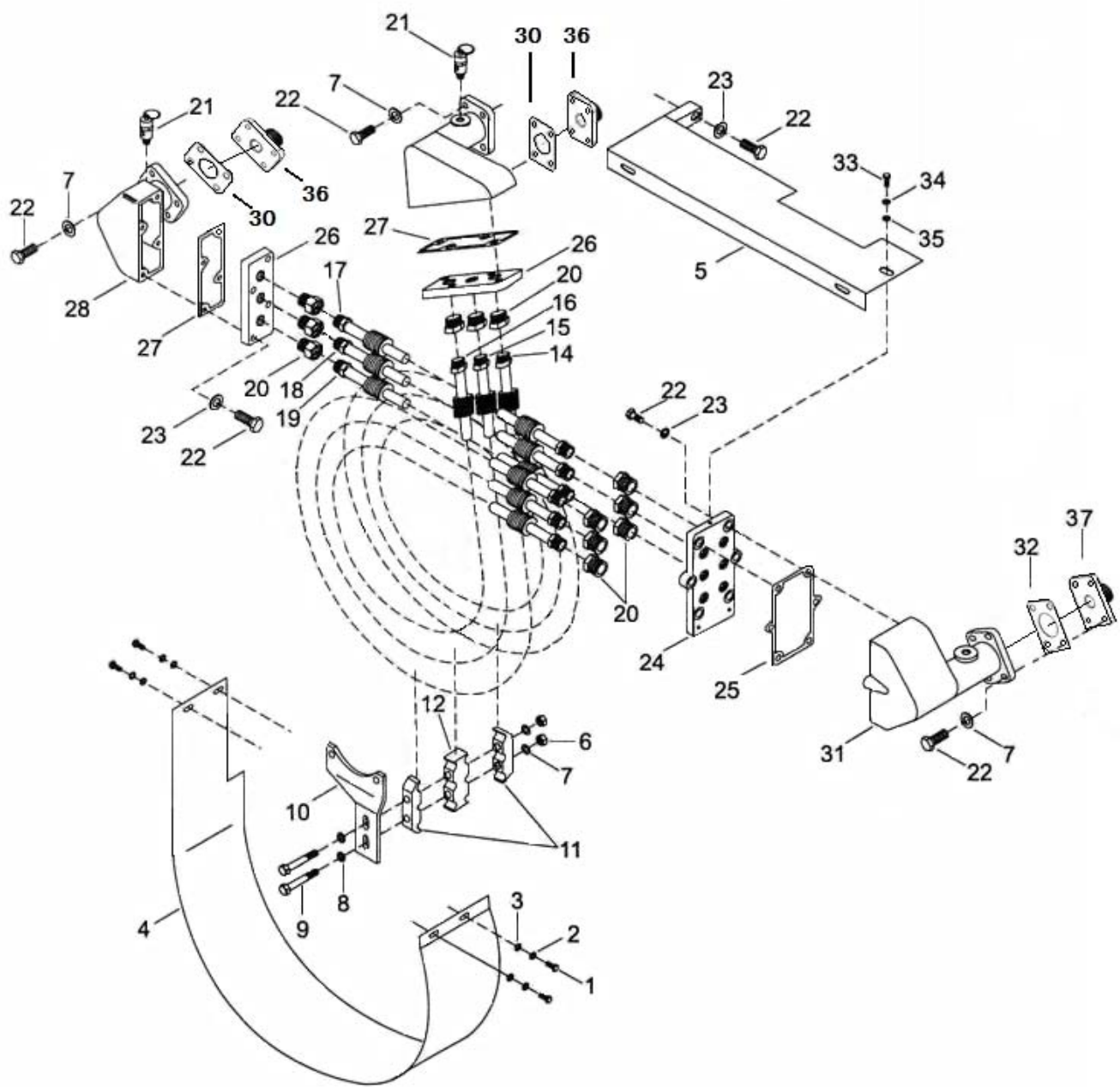


FIGURE 9 INTERCOOLER & SHROUD ASSEMBLY

FIGURE9

REF. NBR.	PART NUMBER	DESCRIPTION	UNITS PER ASSY.	REMARK
9-1	GB5783-86	CAPSCREW-HEX M6x12	4	
9-2	GB93-87	LOCKWASHER, SPRING-6	4	
9-3	GB/T96-85	WASHER, FLAT-6	4	
9-4	H33001110	SHROUD, INTERCOOLER	1	
9-5	H33001111	TOP, SHROUD	1	
9-6	GB6170-86	NUT, HEX-M10	2	
9-7	GB93-87	LOCKWASHER, SPRING-10	14	
9-8	GB95-85	WASHER, FLAT-10	2	
9-9	GB5783-86	CAPSCREW-HEX M10x100	2	
9-10	H33001116	BRACKET, INTERCOOLER	1	
9-11	H33001112	CLAMP, INTERCOOLER TUBE-OUTER	1	
9-12	H33001113	CLAMP, INTERCOOLER TUBE-CENTER	2	
9-14	H33001119	ASSEMBLY, INTERCOOLER TUBE-FINNED-#3	1	
9-15	H33001118	ASSEMBLY, INTERCOOLER TUBE-FINNED-#2	1	
9-16	H33001117	ASSEMBLY, INTERCOOLER TUBE-FINNED-#1	1	
9-17	H33001122	ASSEMBLY, INTERCOOLER TUBE-FINNED-#6	1	
9-18	H33001121	ASSEMBLY, INTERCOOLER TUBE-FINNED-#5	1	
9-19	H33001120	ASSEMBLY, INTERCOOLER TUBE-FINNED-#4	1	
9-20	H33001114	CONNECTOR, MALE	12	
9-21	H30870066	VALVE, RELIEF-57PSIG	2	
9-22	GB5783-86	CAPSCREW-HEX M10x30	27	
9-23	GB93-87	LOCKWASHER, SPRING-10	15	
9-24	H33001108	FLANGE-#2	1	
9-25	H33001105	GASKET, FLANGE-HIGH PRESSURE	1	
9-26	H33001107	FLANGE-#1	2	
9-27	H33001104	GASKET, FLANGE-LOW PRESSURE	2	
9-28	H33001101	MANIFOLD, INTERCOOLER-#1LOW PRESSURE	1	
9-29	H33001102	MANIFOLD, INTERCOOLER-#2LOW PRESSURE	1	
9-30	H33001062	GASKET, FLANGE#1	2	
9-31	H33001103	MANIFOLD, INTERCOOLER- HIGH PRESSURE	1	
9-32	H33001063	GASKET, FLANGE#2	1	
9-33	GB5783-86	CAPSCREW-HEX M8x20	1	
9-34	GB93-87	LOCKWASHER, SPRING-8	1	
9-35	GB/T96-85	WASHER, FLAT-8	1	
9-36	H33301003	FLANGE-#1	2	
9-37	H33301004	FLANGE-#2	1	

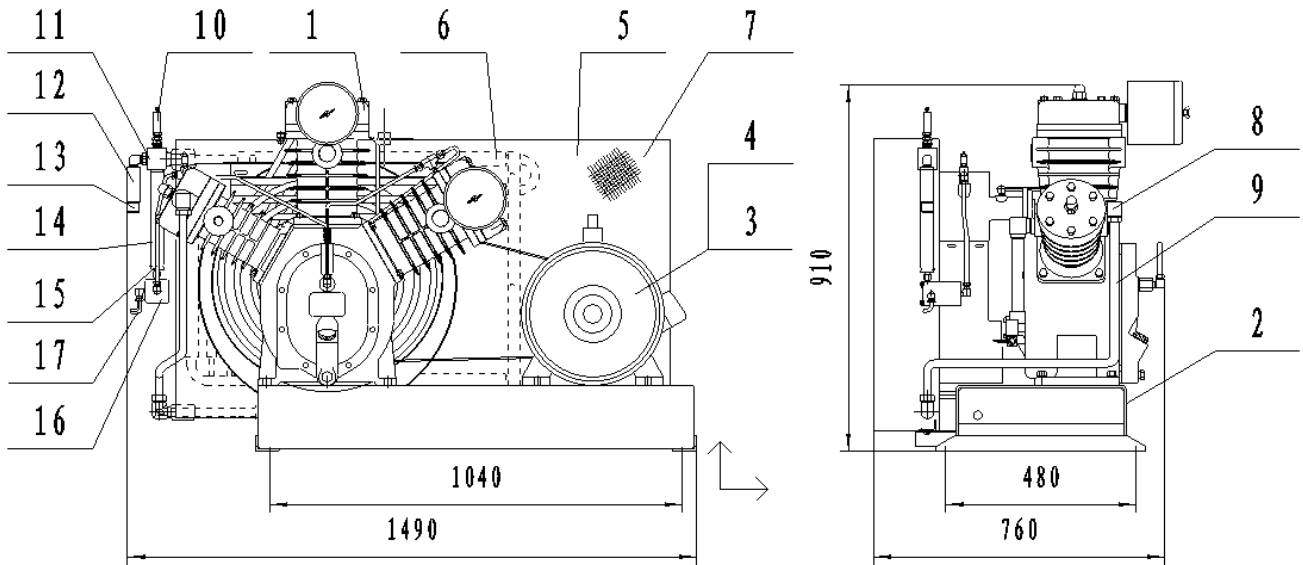


FIGURE 10 SIMPLEX PACKAGE & OPTIONS

FIGURE10

REF. NBR.	PART NUMBER	DESCRIPTION	UNITS PER ASSY.	REMARK
10-1	H33301000	BARE COMPRESSOR	1	
10-2	H33303015	SUB-BASE	1	
10-3		MOTOR, ELECTRIC	1	
10-4		PULLEY,MOTOR	1	
10-5		BELT "V"	1	
10-6	H33303006	AFTERCOOLER	1	
10-7	H33303005	BELTGUARD	1	
10-8	H33300018	ELBOW ,TUBE NPT1"-M27*1.5	1	
10-9		ASSEMBLY,AFTERCOLLER TUBE-FINNED	1	
10-10	H30870171	SAFETY VALVE NPT1/2"	1	
10-11	H33300003	CROSS ,TUBE	1	
10-12	H33401901	CHECK VALVE G1/2"	1	
10-13	H33600027	CONNECTOR, TUBE NPT1/2"-M30*1.5	1	
10-14	H33401602	TUBE-STELL,DRAIN NPT1"	1	
10-15		CONTROL PIPE ϕ 8	1	
10-16	H33401216	AUTOMATIC CONDENSATE DRAIN VALVE	1	
10-17		DRAIN PIPE ϕ 8	1	